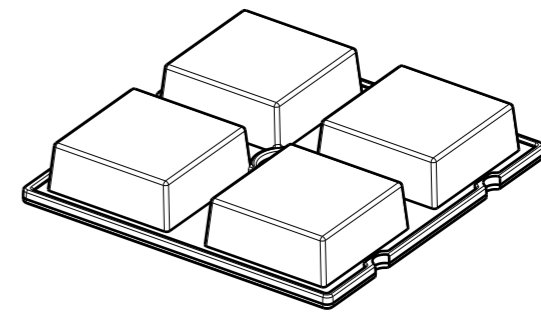
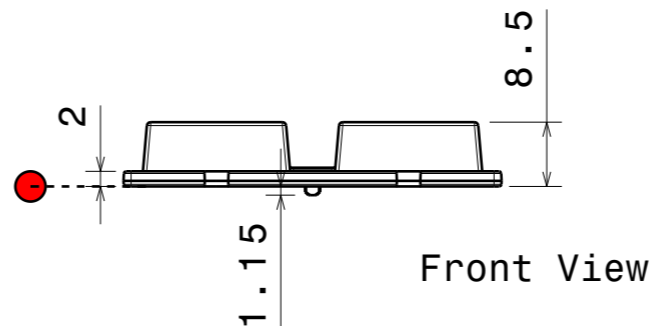


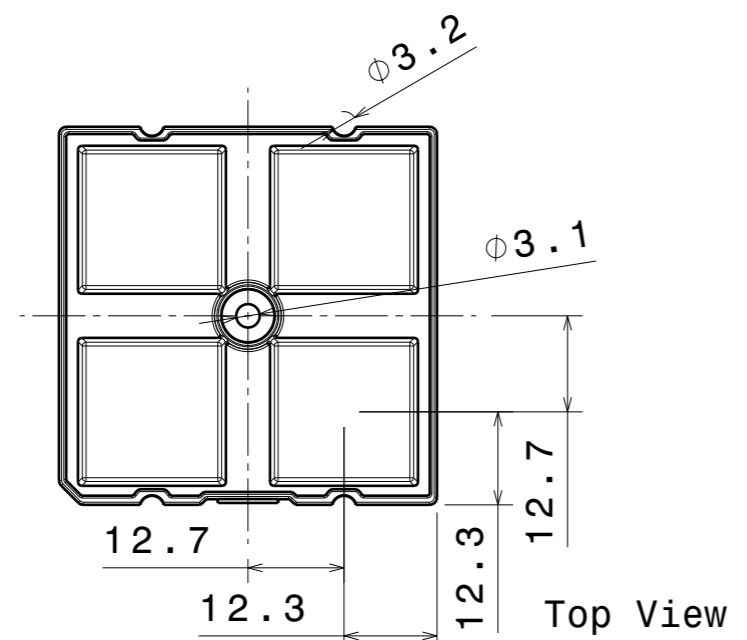
Bottom View



Isometric View



Front View



Top View

PART	TYPE	MATERIAL	COLOR / COATING
C19178_AMBER-2X2-M	LENS	PMMA	Amber

MECHANICAL DRAWING		LEDiL
PRODUCT	AMBER	
Plastic moulding general tolerances according to DIN 16901-130 and applies if not otherwise shown in the drawing. Silicone moulding general tolerances according to ISO 3302-1 Class M3 and applies if not otherwise shown in the drawing.	FIRST ANGLE PROJECTION: 	This drawing is the property of LEDiL Oy. It may not be copied or otherwise distributed without prior written permission from LEDiL Oy.
SCALE	1:1	WEIGHT -
		A3 SHEET 1/1

Notes

	PCB or heatsink level.
	LED location
	Ensure LED fitting from a product specific 3D model available from www.ledil.com
	For more details about installation please see LEDiL Installation Guide on www.ledil.com